

φ2.8MM  
ARTICULATING VIDEO BORESCOPE



1.0m Type

## The Thinnest High Grade Model

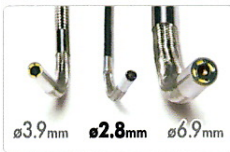
### φ2.8mm VJ-ADV



#### Special Features

### Super-Thin Full Articulation

In addition to all the VJs that have defied conventional products, we have added the world thinnest model, φ 2.8mm full articulating video borescope. φ2.8mm VJ enables you to go deeper inside that cannot be achievable with any other products.



### Synchronized Strobe LEDs

Just like our 3.9mm VJ-ADV, the new 2.8mm VJ-ADV utilizes the synchronized strobe LED. The strobe is synchronized with the frame rate of the micro-camera and brings high-intensity light ever.



### Stand-Alone Imaging Unit

The VJ-ADV is an all-in-one system that combines an articulating video borescope with an on-board imaging system. As you conduct an inspection, images and videos can be captured and saved directly to the built-in micro SD card with the click of your index finger. The intuitive control panel allows you to review stored images and videos on the built-in 3.5" LCD monitor.

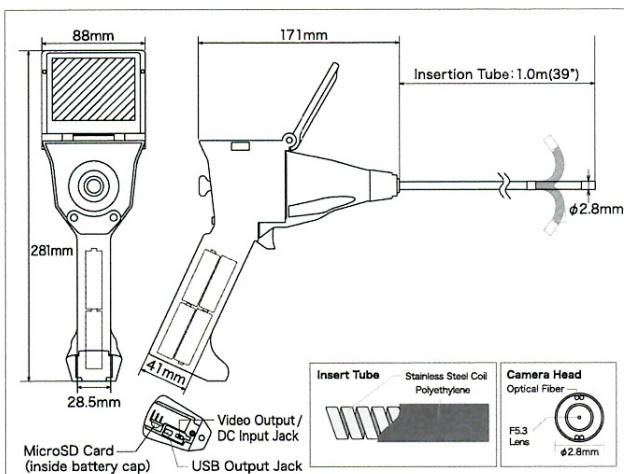


### Joystick-Controlled Articulation

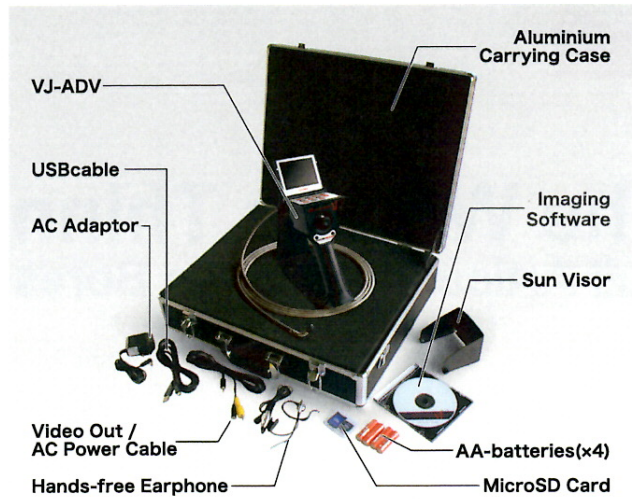
The VJ-ADV provides precise control of the articulating tip through the use of a thumb-activated joystick. This joystick responds to the slightest movement of your thumb and allows full movement of the camera tip 90 degrees in all directions.



#### Structural Drawing



#### Packaged Items



#### Features / Specifications

Insertion Tube	Outer Diameter	2.8mm
	Length (meter/inch)	1.0m (39")
	Exterior	Polyethylene Tube
	Waterproof	Splash Proofed Insertion Tube and Tip
	Chemical Compatibility	Machine Oil, Heating Oil, Engine Oil, 3.5% Concentrated Saltwater, Diesel Fuel
Optics	Field of View (H/V)	70° / 70°
	F No.	F 5.3
	Depth of Field	10mm - 40mm
	Illumination Method	Optical Fiber
Articulation	Articulation Range	360° (over 90° in every direction)
	Articulation Control	Joystick with "Direct Control" Mechanism
	Rigid Distal End Length	14mm
LCD Monitor		3.5inch Color Digital LCD
GAIN Adjustment		5 Levels
Still Capture / Record Function		Still Image (No LED Flash Capturing)
		Time-lapse Recording (Video)
Input / Output Terminal	Video Output	2.5mm Stereo Mini Jack for RCA Video Output
	USB Output	Mini B Terminal Ver. 2.0 Video Capture Output (Includes Driver / Viewer Software)
	Audio Output	Monaural Flat Jack for Hands-free Earphone
	Microphone Output	Monaural Flat Jack for Hands-free Microphone
Storage	Storage Media	MicroSD Card (Max.2GB)
	Still Image	JPEG 400x400 pixels
	Video	MotionJPEG (AVI file extension) 400x400pixels 15~30fps Voice recording function via the attached microphone
	Storage Capacity (with 1GB MicroSD Card)	Still Image: Max. 500 pictures Movie Recording: Approx. 60 minutes (Normal Mode) Approx. 9 hours (Time-lapse Mode)
Playback Function		Still Image: Thumbnail 9-image Display / Full Screen Display Video: Play, Pause
Menu Operation		Image Adjustment (Brightness, Contrast, Hue, Sharpness)
		Delete Stored Image
		Time and Date Setting
		Language: Japanese / English
		USB Mass Storage
Operating Temperature (Insertion Tube)		In Air: -30°C~60°C (-22°F~140°F) Under water: N/A
Power Supply	DC	DC 6V [four AA alkaline batteries]
	AC	AC Adaptor (IN 100V ~ 240V, OUT 6V/2.5A)
Operating Time		Max. 1hr (with four AA alkaline batteries)
Weight		470g (without batteries)
Carrying Case		495 x 420 x 145 mm (19 x 17 x 5 inch)

\*Specifications and design may be changed without pre-notice.

Manufacturer : RF Co.,Ltd.

[From USA] Phone : 1-800-383-3005 / FAX: 1-800-799-9895

[From other countries] Phone : +81-26-225-7744 FAX: +81-26-225-7747

[URL] [www.rfsystemlab.com/en](http://www.rfsystemlab.com/en) [Email] [os@rfsystemlab.com](mailto:os@rfsystemlab.com)

#### Description of Business

Medical Field: Direct Digital Radiography Imaging Sensors, Medical Video Scopes

Dental Field: Digital Radiography Sensor, Intraoral Cameras

Industrial Field: Digital Radiography NDT Systems, Industrial Video Borescopes

Development of Capsule Endoscope and Disposable Video Endoscopes

