

# Oil Bath Type Comparison Calibration Equipment



## *For calibration of Thermocouple, RTD and Glass Thermometer!*

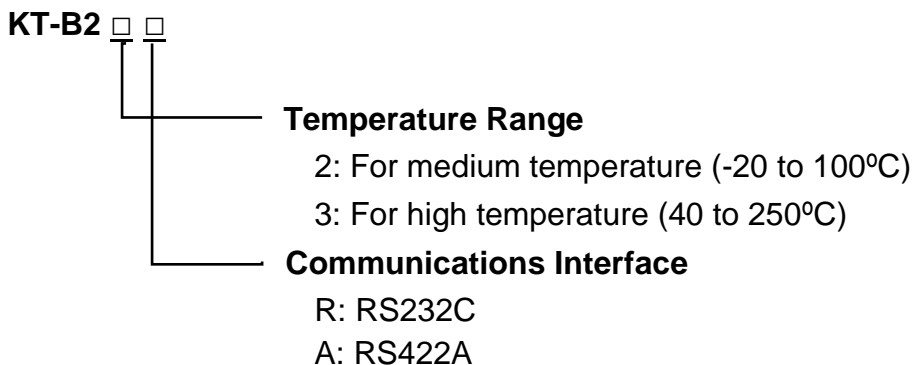
### **Model KT-B**

The KT-B oil bath type comparison calibration equipment is for calibration of thermocouple, RTD and glass thermometer from -20 to 100°C (KT-B22) and 40 to 250°C (KT-B23). Both models have of temperature (temporal) stability of 0.05°C and (spacial) temperature distribution characteristics of 0.05°C.

### ■ FEATURES

- Temperature stability of 0.05°C p-p
- Temperature distribution characteristics of 0.05°C p-p
- Shorten increasing and decreasing time of temperature.
- Communication Interface is provided for the SV temperature.
- Small and compact size

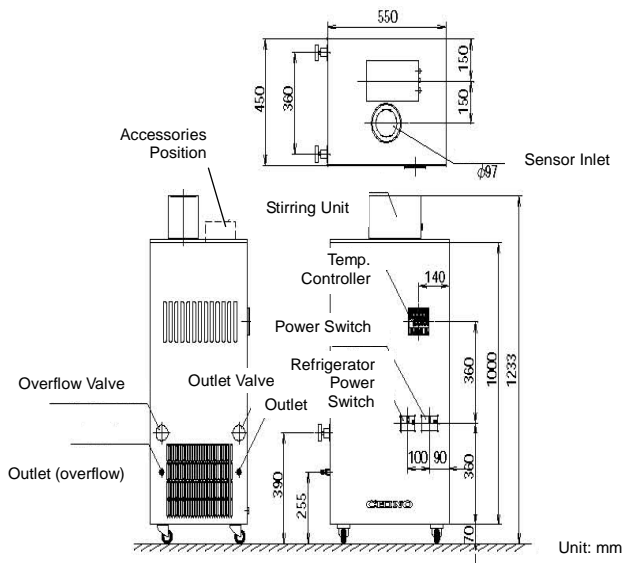
### ■ MODEL



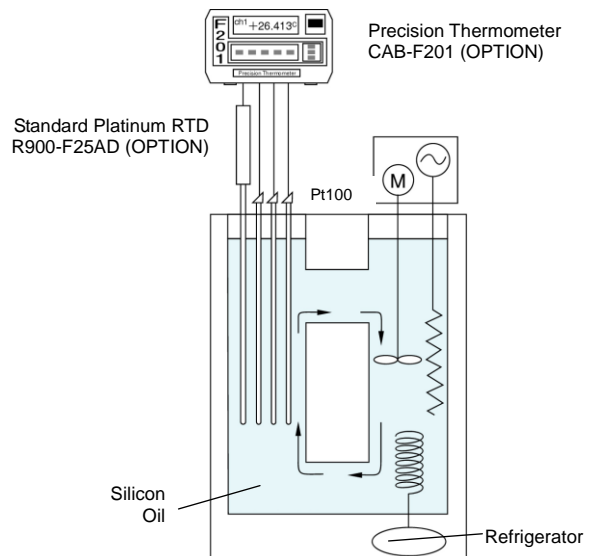
## ■ GENERAL SPECIFICATIONS

	Medium Temperature	High Temperature
Model	KT-B22	KT-B23
Calibration Temperature Range	-20 to 100°C	40 to 250°C
Oil Bath Type	Silicon Oil	
Number of Calibrated Sensor	1 to 10 pcs/calibration (depends on sensor diameter.)	
Temperature Stability	Within 0.05 °Cp-p	
Heater Capacity	600 W	500 W
Cooling Function	Yes (Refrigerator built-in)	No
Bath Effective Range	Diameter 100 x 500 mm	
Increasing Temperature Time	Ambient temp. to 100°C : 60 min. (silicon oil)	Ambient temp. to 250°C : 150 min. (silicon oil)
Decreasing Temperature Time	Ambient temp. to -20°C : 60 min. (silicon oil)	
Temperature Distribution Characteristics	Within 0.05°Cp-p (diameter 70 mm within bath, 120mm to 350 mm from liquid level)	
Temperature Sensor for Control	Platinum RTD, PT100Ω	
Bath Capacity	About 8 liters	
Bath Inner Capacity	Diameter 100 x 500 mm	
Power Supply	100 VAC 50/60Hz 15A	100 VAC 50/60Hz 8A
External Dimension	W550 x H1233 x D450mm	
Weight	About 100kg	About 70kg

## ■ External DIMENSIONS



## ■ EXAMPLE OF USE



When comparison calibration of glass thermometer, then Pt 100 in above is changed to glass thermometer. Also wire connection from glass thermometer to CAB-F201 is removed.

Specifications subject to change without notice. Original 2013.08

## CHINO CORPORATION

32-8, KUMANO-CHO, ITABASHI-KU, TOKYO 173-8632  
 PHONE: +81-3-3956-2171  
 FAX: +81-3-3956-0915  
 E-mail: inter@chino.co.jp