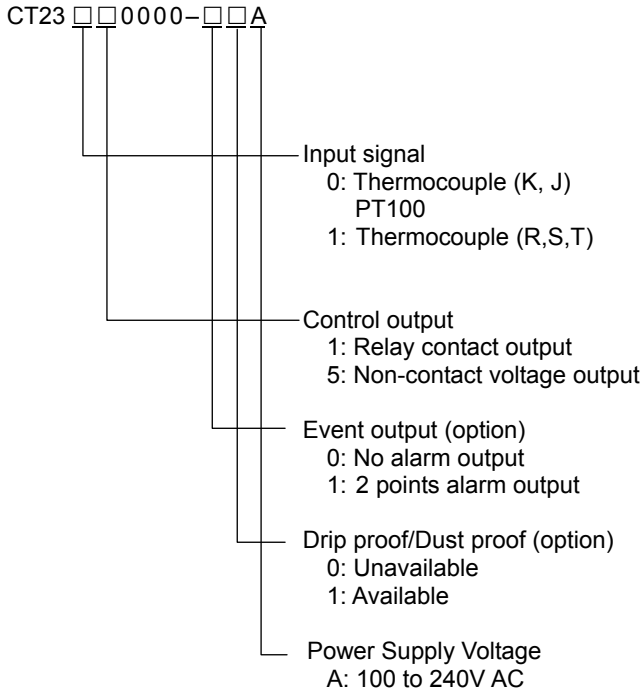


DIGITAL TEMPERATURE INDICATING CONTROLLER CT230 Series



CT230 series is a high performance low cost, 1/16 DIN size, new digital indicating controller, having the multi-range inputs, 2 kinds of output, optional 2 event outputs and auto-tuning.

MODEL



FEATURES

- Auto-tuning
- Two kinds of multi-input
- 60mm depth
- Universal power supply (100-240VAC)
- 2 event outputs (option)
- IP65 protection (option)

MEASURING RANGES

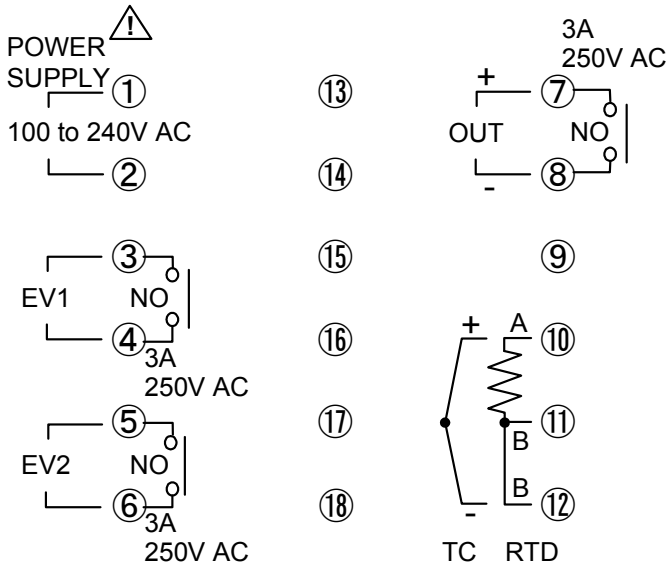
Input type		Input range	
T/C	K	-200 to 1370°C	-300 to 2450°F
	J	-199.9 to 900.0°C	-300 to 1650°F
RTD	Pt100	-199.9 to 850.0°C	-300 to 1500°F
T/C	R	0.0 to 1760°C	32 to 3200°F
	S	0.0 to 1760°C	32 to 3200°F
	T	-199.9 to 400.0°C	-300 to 700°F



SPECIFICATIONS

- Input signal:**
Thermocouple ... K, J, R, S, T,
Resistance thermometer ... Pt100
- Measuring range:**
Refer to the list of measuring ranges
- Accuracy ratings:**
Thermocouple:
Within $\pm 0.3\%$ of each input span ± 1 digit
Less than 0°C (32°F): Within $\pm 0.4\%$ of each input span ± 1 digit
However, R & S inputs, 0 to 200°C (0 to 400 °F) within $\pm 8^\circ\text{C}(16^\circ\text{F})$
- PT100: Within $\pm 0.2\%$ of input span ± 1 digit
- Temperature unit:**
°C or °F
- Sampling period:**
Approx. 500ms
- Control output:**
Relay contact: 1a
Control capacity: 3A 250V AC (resistive load)
1A 250V AC (inductive load $\cos\phi=0.4$)
Electrical life: 100,000 cycles
Non-contact voltage (for SSR drive):
10V⁺³ DC (max. 20mA DC)
- Insulation resistance:**
10MΩ or more, at 500V DC
- Dielectric strength:**
Between input terminal and power terminal: 1.5kVAC for 1 minute
Between output terminal and power terminal: 1.5kVAC for 1 minute
- Rated power voltage:**
100 to 240V AC 50/60Hz
- Allowable power voltage:**
85 to 264V AC
- Power consumption:**
Approx. 7VA
- Ambient temperature:**
0 to 50°C (32 to 122°F)
- Ambient humidity:**
35 to 85%RH (No dew condensation)
- Weight:**
Approx. 120g
- OPTIONS**
- Event output:**
Relay contact: 1a
Control capacity: 3A 250V AC (resistive load)
Electrical life: 100,000 cycles
- Drip proof/Dust proof:**
IP65 for front panel

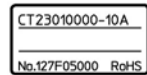
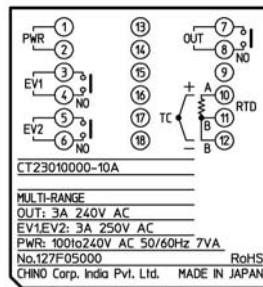
■ **TERMINAL BOARD**



- EV1: Event 1 (A1) output (option)
- EV2: Event 2 (A2) output (option)
- OUT: Control output
- TC: Thermocouple input
- RTD: Resistance temperature detector input

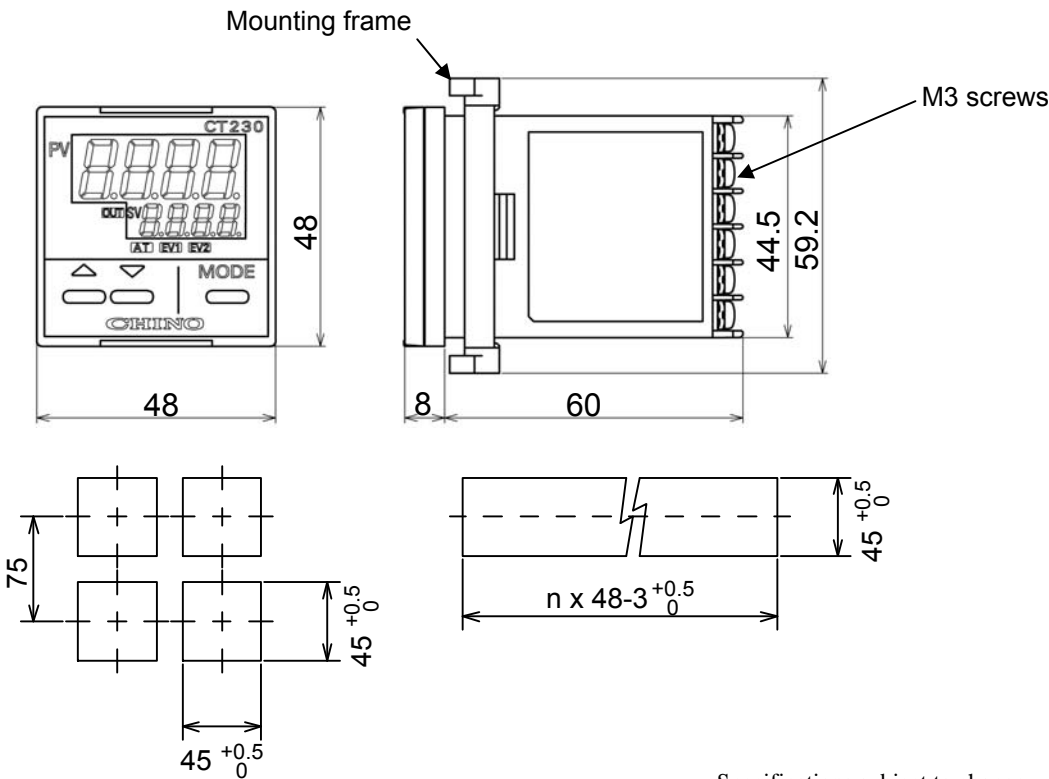
■ **How to Read the Model Label**

Model labels are attached to the right side of the case and at the bottom of the inner assembly.



- Notes)
1. For relay contact output, input is electrically insulated from output.
 2. For non-contact voltage output, input is not electrically insulated from output.

■ **DIMENSIONS AND PANEL CUTOUT**



Specifications subject to change without notice. September 2012

CHINO Corp. India Pvt. Ltd.

No. 417/418 4th floor, B-Wing, Shree Nand-Dham,
Sector 11, C.B.D. Belapur, Navi Mumbai – 400 614, India
Tel: +91-22-6144-4999 Fax: +91-22-6144-4900
E-mail: info@chinoindia.com
Website: www.chinoindia.com